



# Installation and Operation Instructions

## Thank you for choosing Longevity

*You have chosen a high quality, low maintenance product manufactured using a special sanitaryware acrylic-reinforced with our own "Tough" proprietary fiberglass laminate.*

*These materials are designed to give you and your entire family a solid long term investment in beauty, practicality and durability.*

*Each unit has been thoroughly water tested and inspected to ensure your complete satisfaction.*

*Longevity Acrylics Products are extremely durable and fracture-resistant. However, CARE in shipping, handling and installation must be ensured!*

*All Longevity Acrylics Products are covered by our comprehensive warranty. For details, ask for a copy of our warranty card.*

## Rules for Safe Installation and Operation of Longevity Therapeutic Bathtubs

1. Read these instructions and rules carefully. Failure to follow them could cause a unit malfunction. **Warning! A malfunction could cause serious bodily injury, and/or property damage.**
2. Check your local electrical safety and plumbing codes. The information must comply with these guidelines.
3. Your Longevity Therapeutic Blower will operate on 120 Volt A.C., 60 HZ (cycle) electrical power only. Ensure that a ground fault interrupter (G.F.C.I.) is installed as part of the wiring.
4. Wiring should be permanent. Do not use an extension cord. Have the electrical part of the installation done by, or approved by, a qualified electrician.
5. Always shut off the electrical power to the Longevity Therapeutic Blower before servicing.
6. Do not rest your Longevity Therapeutic Bathunit on the jets located underneath the bath. Make sure that back jets are adequately protected when moving the unit into your bathroom. Be careful not to hit a wall or door frame with the back jets.
7. An access panel to service the Longevity Therapeutic Blower must be provided.
8. Do not change the position of the blower. The blower and the air hoses are factory installed in a manner that ensures proper functioning.
9. Check the dimensions of the required waste piping. Some changes to your current waste plumbing may be necessary.
10. Your new Longevity Therapeutic Massage System provides you with a smooth, overall massage. The massage effect is obtained by injecting warm air through 12, 14, or 16 airjets into the bathwater. Using the Longevity Therapeutic for too long a period at too high a water temperature will cause a tiring effect. When you first begin to use your Longevity Therapeutic Bathunit, reduce the duration to five minutes maximum. Regulate the water temperature to a moderately warm level. These levels can be later increased for a longer relaxing full body massage.

Symptoms	Probable Causes	Recommended Action
Switch will not turn on	No power to switch	Check switch connections, fuse or breaker panel
Switch will not turn on	Loose or broken connections	Cables not connected, or Control head not plugged in properly
Switch hums	Improper wiring	Wiring out of phase
Pump will not turn on	Improper connections	Check all the connections of the pump and make sure there is current at the junction box
Pump runs for short period and then turns off (Electronic Model only)	No water in bathtub	Fill bathtub to at least 1-1/2" over highest jet
Pump will not come on	Air hose not connected to pushbutton	Check connections of airhose on pushbutton and control box

## Operation of Your Longevity Therapeutic Massage Bathunit

After having cleaned the tub of all installation debris and dirt, fill with water at normal bathing water level, i.e. maximum 2" below the overflow including the bather. Never fill the tub with water above the overflow level.

When filling your tub, make sure that water temperature does not exceed 70 degrees celsius (158°F); the use of too hot water might shorten the lifetime of the air jets.

Your physiological response to a hot Longevity Therapeutic Massage Bath depends on your age, health, and medical history. Initially, stay in the bath for a short time only until you learn your tolerance to the air massage. If you develop a headache or become dizzy or nauseous, get out at once and cool off under the shower. Get medical help if the symptoms persist. Consult your doctor before you use the Longevity Therapeutic Massage Bath for physical therapy of an injury or disorder. Do not take Longevity Therapeutic Massage Bath without your doctor's consent if you are ill or pregnant, or if you suffer from high blood pressure, heart disease, or other health problems. Never take a Longevity Therapeutic Massage Bath while under the influence of medication, drugs or alcohol.

**Caution:** Children or incapacitated persons should not use the Longevity Therapeutic Massage Bath unattended. Your bathwater temperature should not exceed 40 degrees celsius (104°F).

### Right Button Features:

- Electronic ON/OFF control (indicated with a "STAR") – operates a variable speed blower at different power levels
- An automatic 5 minute purge cycle – 30 minutes after the blower has been used
- A 24 Hour Daily Purge cycle

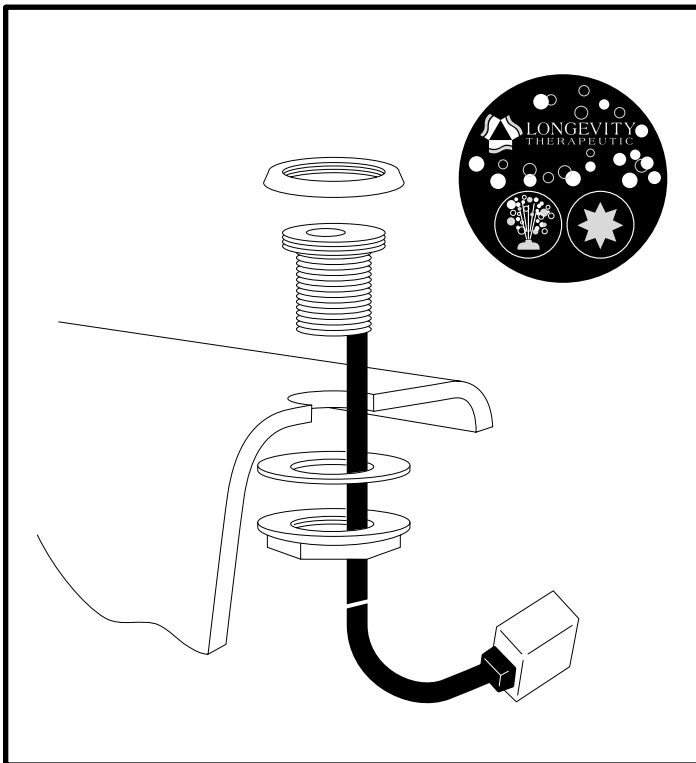
### Operations:

- 1) Press and release Blower start on HIGH for automatic 20 minutes
- 2) Press and hold Blower runs on HIGH to LOW – runs at the speed released
- 3) Press and hold again Changes direction of speed LOW to HIGH
- 4) Press and release Blower turns off

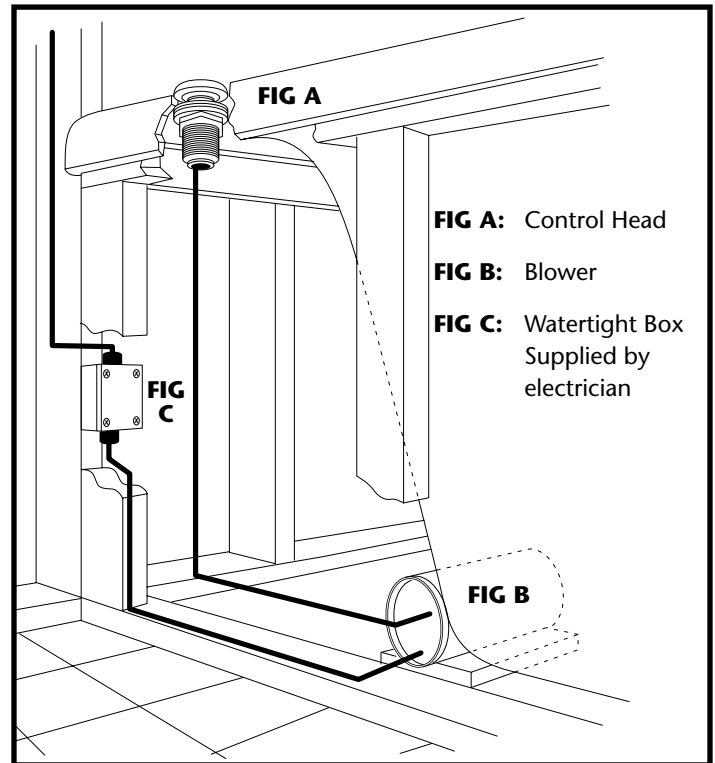
**Note:** 30 minutes after the blower system is turned off the automatic purge cycle comes on for 5 minutes.

## Control Diagrams for Therapeutic Only

**Intermediate Electronic Control Head**



**Basic Time Delay Combination System**



### Setting The 24 Hour Daily Purge

- Wait for the time you want the cycle to come ON every day (not interfering with daily routines)
- Press the RIGHT BUTTON electronic ON/OFF control and hold
- The blower will start on HIGH and decrease to LOW speed (remaining on LOW speed for 30 seconds)
- DO NOT LET THE BUTTON GO UNTIL THE BLOWER TURNS OFF
- When it shuts OFF – Daily Purge will run at the same time every day
- L.E.D. will flash immediately – indicating the Daily Purge is ON
- To turn the Daily Purge OFF – repeat the process above
- L.E.D. will not flash when the cycle is OFF
- 30 minutes after the blower system is turned OFF, the Daily Purge cycle comes on for 5 minutes every day at the time set
- If the purge cycle is interrupted (turned OFF), it will run again 30 minutes after the interruption
- IN CASE OF POWER FAILURE – 24 Hour Daily Purge needs to be reset

## Operation of Combination Whirlpool and Therapeutic

### Left Button Features:

- Left button on key pan turns whirlpool system ON and OFF.
- A 20 minute timer is also activated when whirlpool starts. Whirlpool will turn OFF automatically after 20 minutes.
- Right button controls therapeutic system – as above.
- Both systems may be operated at the same time or independently.

## Installation/Safety Data Sheet

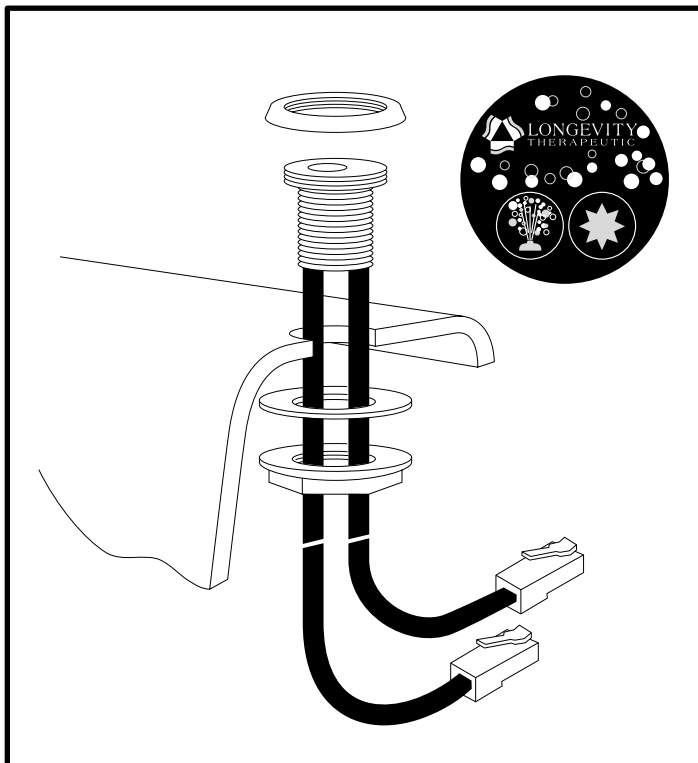
Before beginning the installation of your new Electronic/Pneumatic switch please take a few minutes to read through the instruction manual. Also make sure you check your product for any visible damage. If unit appears to be damaged please contact your vendor for further instructions.

When installing and using the ULTRA JET CANADA INC. Electronic or Pneumatic time delay switches, basic safety precautions should always be followed, including the following:

- 1) Warning – To reduce the risk of injury, do not permit children to use this product unless they are closely supervised at all times.
- 2) Caution – Connect only to a dedicated Class A ground fault interrupted circuit.
- 3) Caution – Adhere to proper ampere rating as indicated on switch box label.
- 4) Caution – All electrical wiring (both installation and repair) must be performed by a licensed electrician in accordance with the Canadian Electrical Code and all other codes.
- 5) Caution – The Electronic/Pneumatic switch contains NO USER SERVICEABLE PARTS. For service contact your dealer or a qualified electrician.
- 6) Caution – The Electronic switch is rated at the following specifications: 120 volts at 60hz/AC \*\*\* 1 HP/18A MAX LOAD
- 7) Caution – The Pneumatic switch is rated at the following specifications: 120 volts at 60hz/AC \*\*\* 1HP/16A MAX LOAD

## Control Diagrams for Combination Whirlpool Therapeutic

**Basic Electronic Combination Control Head**



**Basic Time Delay Combination System**

